



A Qualitative Infrared Thermographic Survey of Electrical Equipment

Prepared for:

Tom Brown Smith

**Memorial Industrial AI
1234 Smith Avenue B
Houston, Texas**

Report Prepared by
Advanced Infrared
832-465-1190

www.Advanced-IR.com

Project #: 25e060

July 25, 2025

Memorial Industrial AI
1234 Smith Avenue B
Houston, TX 77092

Tom Brown Smith,

The electrical equipment of Memorial Industrial AI was the subject of an infrared (IR) survey on May 28, 2025. Equipment designated by the client for this survey is listed in this report.

Your report includes:

- Section A – Findings Tables, a list of all equipment with thermal anomalies.
- Section B - Equipment List, a list of all equipment surveyed.
- Section C - Thermographic Reports, individual report pages of all equipment with thermal findings.

Infrared Survey Info

Client: Memorial Industrial AI
Building Name: Memorial Industrial AI
Client representative: Tom Brown Smith
Building Location: 1234 Smith Avenue B
Survey Date: May 28, 2025
Thermographer: Jeff Hoffman
CIT#: 8067 Level II
Imager: Fotric 348a
Lens FOV: 44x34°
Notes: Equipment behind plastic shields cannot be checked.
Results based on load at time of survey

Type	Count
Control cabinet	23
Panel	17
Distribution panel	2
Total	42

SECTION A: FINDINGS

FINDINGS SUMMARY

Rating	Count
Minor	2
Alert	0
Serious	2
Critical	0
Total	4

NFPA 2023 70B requires an annual and GSA recommend annual survey.

FINDING LIST

Report#	Area	Asset	Finding	TEMP Rise	Rating
1	Basement 2	Panel L	Main breaker	61	Serious
2	Main hall	Panel WH	Breaker 2/4	9	Minor
3	Main hall	Panel WL	Breaker 26	15.5	Minor
4	Packaging	Control cabinet CPU line	Connections	66.7	Serious

Finding History

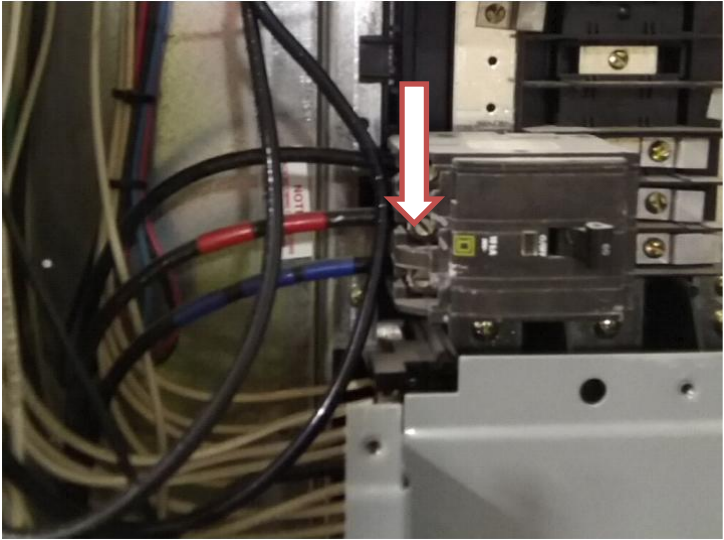
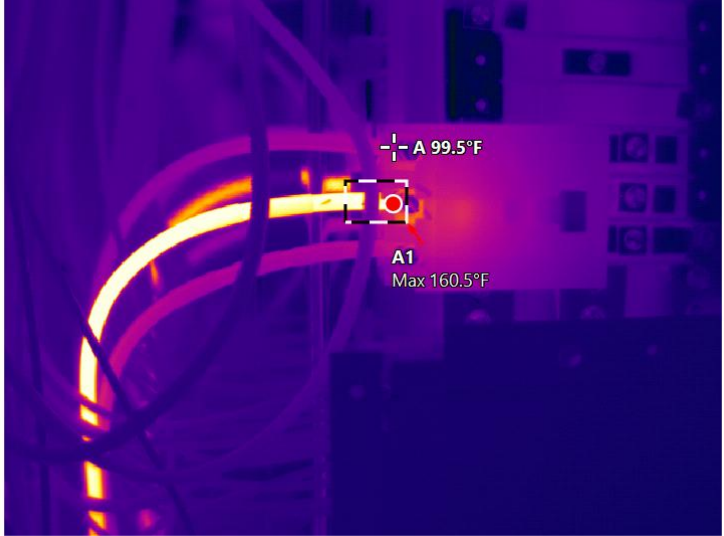
Ratings/Year	2023	2024	2025
Minor	0	0	2
Alert	2	2	0
Serious	0	2	2
Critical	0	0	0
Pieces of Equipment	23	42	42

SECTION B: EQUIPMENT LIST

Area	Asset	Note
Main hall	Panel WH	Breaker 2/4
Main hall	Panel WL	Breaker 26
2nd MCC room	Control cabinet SOMCC1	
2nd MCC room	Control cabinet SOMMC4	
2nd MCC room	PLC1	
2nd MCC room	Control cabinet MCC2	
2nd MCC room	Control cabinet MCC1	
2nd MCC room	Control cabinet Base handling plant	
2nd MCC room	Control cabinet 21+603	
2nd MCC room	Control cabinet 21+602	
2nd MCC room	Control cabinet 21+601	
2nd MCC room	Control cabinet 21+101	
2nd MCC room	Control cabinet 21+401	
2nd MCC room	Control cabinet 21+201	
2nd MCC room	Control cabinet 21+301	
2nd MCC room	Control cabinet SOMCC2	
Building C elect room	Panel HC	
Building C elect room	Panel HA	
Basement 2	Panel L	Main breaker
Basement 2	Panel H	
Basement 2	Distribution panel DP	
Basement 2	Panel DP Sub 1	
Compressor room	Panel A1	
Compressor room	Panel A2	
Compressor room	Distribution panel DP2	
Packaging	Panel LL	
Packaging	Panel HL	
Packaging	Control cabinet Depal	
Packaging	Control cabinet CPU line	Connections
Packaging	Control cabinet Conveyor	
Packaging	Control cabinet Can	
Packaging	Control cabinet Wrapper	
Packaging	Control cabinet Palletizer	
Packaging	Control cabinet Cartoner	
Packaging	Control cabinet Tray former	
Packaging	Control cabinet Bit	

Area	Asset	Note
Packaging CIB	Panel LH	
Packaging CIB	Panel HH	
Packaging elect room	Panel HM	
Packaging elect room	Panel LM	
Packaging elect room	Panel EL	
Packaging elect room	Panel EH	


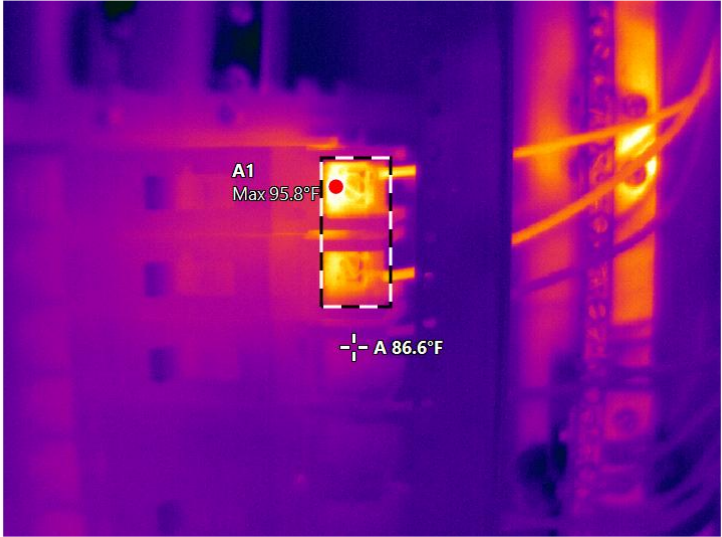
SECTION C: THERMOGRAPHIC REPORTS (FOLLOWING PAGES)

<p>Report # 1</p> <p>Client: Memorial Industrial AI</p> <p>Building: Memorial Industrial AI</p> <p>Location of Findings:</p> <p>Basement 2 Panel L Main breaker</p>													
<p>Time: 05/28/2025 11:09 AM</p> <p>File name: FOTRIC_05-28-2025_1258</p> <table border="1" style="width: 100%; border-collapse: collapse; margin-top: 10px;"> <tr> <td style="padding: 2px;">Ambient</td> <td style="padding: 2px;">77.0°F</td> </tr> <tr> <td style="padding: 2px;">Emissivity</td> <td style="padding: 2px;">0.95</td> </tr> </table> <table border="1" style="width: 100%; border-collapse: collapse; margin-top: 10px;"> <tr> <td style="padding: 2px;">Area</td> <td style="padding: 2px;">160.5°F</td> </tr> <tr> <td style="padding: 2px;">Reference</td> <td style="padding: 2px;">99.5°F</td> </tr> <tr> <td style="padding: 2px;">Difference</td> <td style="padding: 2px;">61.0°F</td> </tr> <tr> <td style="padding: 2px;">Rating</td> <td style="padding: 2px;">Serious</td> </tr> </table>	Ambient	77.0°F	Emissivity	0.95	Area	160.5°F	Reference	99.5°F	Difference	61.0°F	Rating	Serious	
Ambient	77.0°F												
Emissivity	0.95												
Area	160.5°F												
Reference	99.5°F												
Difference	61.0°F												
Rating	Serious												
<p>Finding: Check load and connections, replace/repair as needed.</p>													

Rating	Temperature Rise in F°	Recommendation
Minor	1-15 °F	Routine, Repair during regular maintenance, little chance of physical damage.
Alert	16-50 °F	Repair within 30 days, watch load and inspect for physical damage.
Serious	51-100 °F	Repair/Replace ASAP. Inspect surrounding components for physical damage.
Critical	100+ °F	Immediate repair/replace. Danger exists!

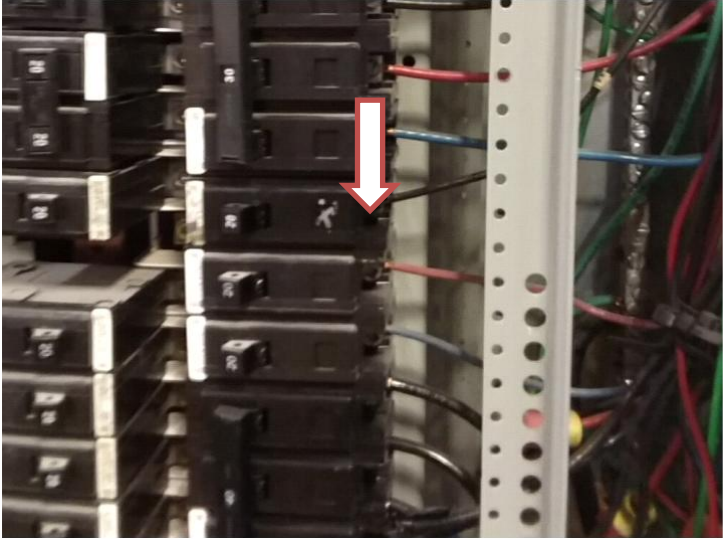

Repaired by: _____

Date: _____

<p>Report # 2</p> <p>Client: Memorial Industrial AI</p> <p>Building: Memorial Industrial AI</p> <p>Location of Findings:</p> <p>Main hall Panel WH Breaker 2/4</p>													
<p>Time: 05/28/2025 12:18 PM</p> <p>File name: FOTRIC_05-28-2025_1264</p> <table border="1" style="width: 100%; border-collapse: collapse; margin-top: 10px;"> <tr> <td style="width: 20%;">Ambient</td> <td>80.6°F</td> </tr> <tr> <td>Emissivity</td> <td>0.95</td> </tr> </table> <table border="1" style="width: 100%; border-collapse: collapse; margin-top: 10px;"> <tr> <td style="width: 20%;">Area</td> <td>95.8°F</td> </tr> <tr> <td>Reference</td> <td>86.6°F</td> </tr> <tr> <td>Difference</td> <td>9.2°F</td> </tr> <tr> <td>Rating</td> <td>Minor</td> </tr> </table>	Ambient	80.6°F	Emissivity	0.95	Area	95.8°F	Reference	86.6°F	Difference	9.2°F	Rating	Minor	
Ambient	80.6°F												
Emissivity	0.95												
Area	95.8°F												
Reference	86.6°F												
Difference	9.2°F												
Rating	Minor												
<p>Finding: Check load and connections, replace/repair as needed.</p>													

Rating	Temperature Rise in F°	Recommendation
Minor	1-15 °F	Routine, Repair during regular maintenance, little chance of physical damage.
Alert	16-50 °F	Repair within 30 days, watch load and inspect for physical damage.
Serious	51-100 °F	Repair/Replace ASAP. Inspect surrounding components for physical damage.
Critical	100+ °F	Immediate repair/replace. Danger exists!

Repaired by: _____ **Date:** _____

<p>Report # 3</p> <p>Client: Memorial Industrial AI</p> <p>Building: Memorial Industrial AI</p> <p>Location of Findings:</p> <p>Main hall Panel WL Breaker 26</p>													
<p>Time: 05/28/2025 12:24 PM</p> <p>File name: FOTRIC_05-28-2025_1266</p> <table border="1" style="width: 100%; border-collapse: collapse; margin-top: 10px;"> <tr> <td style="padding: 2px;">Ambient</td> <td style="padding: 2px;">80.6°F</td> </tr> <tr> <td style="padding: 2px;">Emissivity</td> <td style="padding: 2px;">0.95</td> </tr> </table> <table border="1" style="width: 100%; border-collapse: collapse; margin-top: 10px;"> <tr> <td style="padding: 2px;">Area</td> <td style="padding: 2px;">102.8°F</td> </tr> <tr> <td style="padding: 2px;">Reference</td> <td style="padding: 2px;">87.3°F</td> </tr> <tr> <td style="padding: 2px;">Difference</td> <td style="padding: 2px;">15.5°F</td> </tr> <tr> <td style="padding: 2px;">Rating</td> <td style="padding: 2px;">Alert</td> </tr> </table>	Ambient	80.6°F	Emissivity	0.95	Area	102.8°F	Reference	87.3°F	Difference	15.5°F	Rating	Alert	
Ambient	80.6°F												
Emissivity	0.95												
Area	102.8°F												
Reference	87.3°F												
Difference	15.5°F												
Rating	Alert												
<p>Finding: Check load and connections, replace/repair as needed.</p>													

Rating	Temperature Rise in F°	Recommendation
Minor	1-15 °F	Routine, Repair during regular maintenance, little chance of physical damage.
Alert	16-50 °F	Repair within 30 days, watch load and inspect for physical damage.
Serious	51-100 °F	Repair/Replace ASAP. Inspect surrounding components for physical damage.
Critical	100+ °F	Immediate repair/replace. Danger exists!

Repaired by: _____

Date: _____

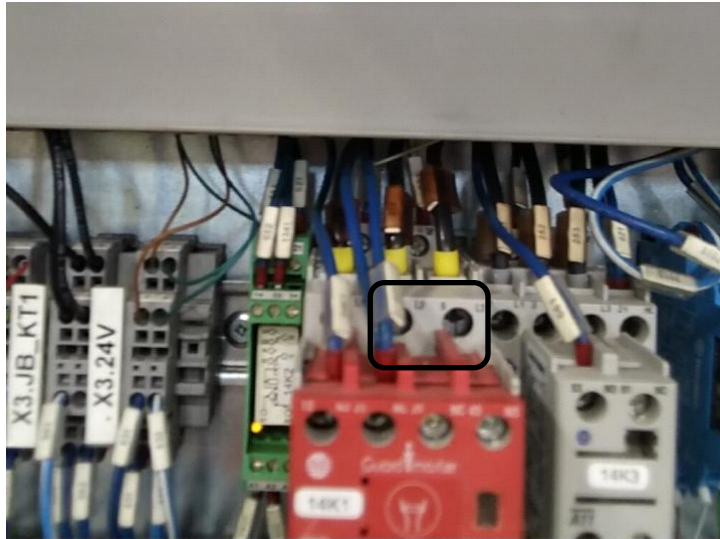
Report # 4

Client: Memorial Industrial AI

Building: Memorial Industrial AI

Location of Findings:

Packaging
Control cabinet CPU line
Connections



Time: 05/28/2025

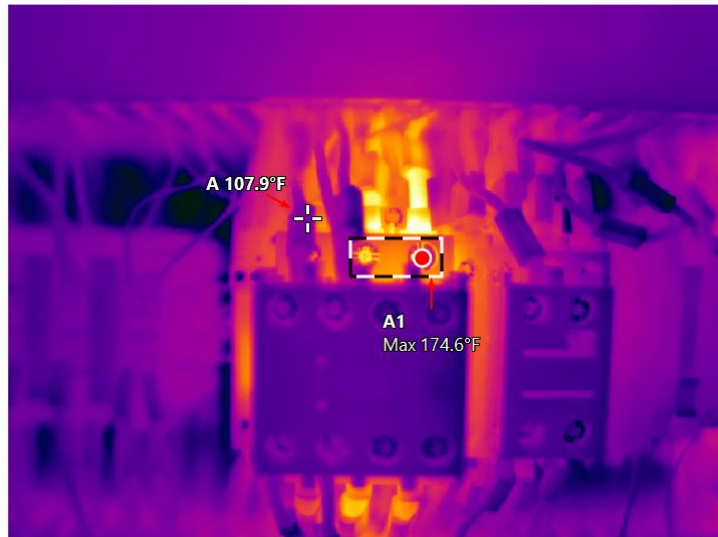
2:27 PM

File name:

FOTRIC_05-28-2025_1284

Ambient	80.6°F
Emissivity	0.95

Area	174.6°F
Reference	107.9°F
Difference	66.7°F
Rating	Serious



Finding:

Check load and connections, replace/repair as needed.

Rating	Temperature Rise in F°	Recommendation
Minor	1-15 °F	Routine, Repair during regular maintenance, little chance of physical damage.
Alert	16-50 °F	Repair within 30 days, watch load and inspect for physical damage.
Serious	51-100 °F	Repair/Replace ASAP. Inspect surrounding components for physical damage.
Critical	100+ °F	Immediate repair/replace. Danger exists!

Repaired by:

Date: